



COMMERCIAL ALUMINUM FENCING

NO LIMITS. KNOW BOUNDARIES.



THE ORDINARY
DEFEND
AGAINST

JOIN THE REVOLUTION.
FortressBP.com | 866.323.4766





THIS RACKABILITY RULES

A2 commercial aluminum fencing is our strongest, most versatile aluminum fence product, delivering a rackable design to match changes in grade. The larger rail and picket profiles combined with lightweight tempered aluminum protect any perimeter. Get an upscale look and updated aesthetics without the upkeep.

**RACKABLE
DESIGN**

**LARGER RAIL
& WIDER
PICKET PROFILES**

**LIGHTWEIGHT
YET DURABLE**



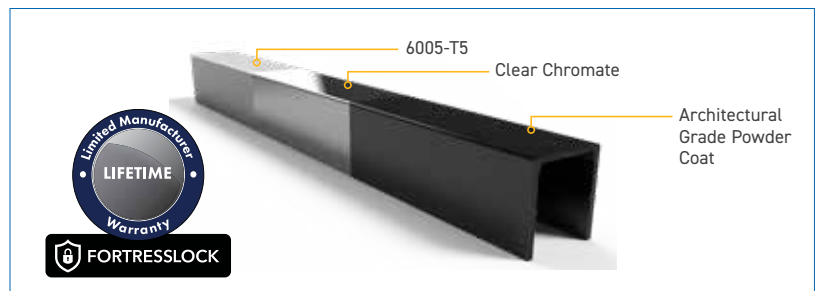
KEY FEATURES

- Great range of rackability to meet various grade changes
- Hidden picket to rail fastener system offering high quality aesthetics
- Notched rail & pre-punched post design
- FortressLock architectural grade powder coating
- Color matched panel to post stainless steel fasteners
- Rust free panels, posts & fasteners
- Lifetime limited warranty maximizes your investment
- 4 panel styles to choose from in 2, 3, and 4 rail configurations

WARRANTY

Limited Lifetime Warranty

A2™ commercial is backed by a lifetime limited manufacturer warranty and a hassle-free claims process. Visit FortressBP.com for complete warranty details and exclusions.



COLOR OPTIONS



Black Sand



Gloss Black

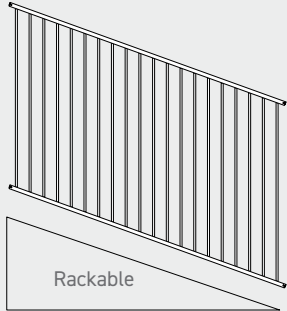


Additional colors available for custom orders.



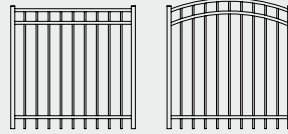
PANELS & GATE STYLES

Fence panel (available in multiple heights) + Flat and Arched Gates + Standard Welded Gate Options

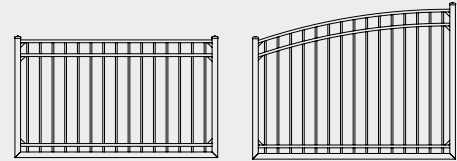


- 48" (1219mm)
- 54" (1372mm)
- 60" (1524mm)
- 72" (1829mm)

Rackable



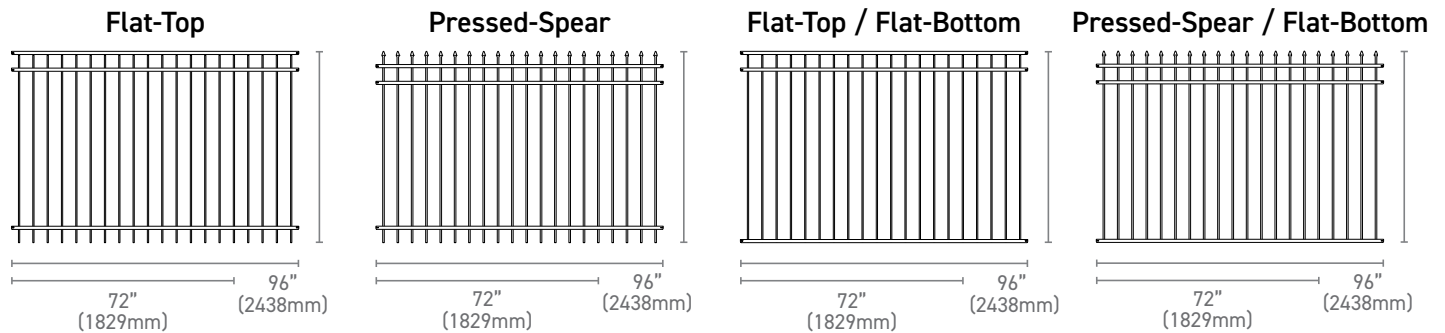
Walk Gates
4' & 5'



Drive Gates
6'

Available Widths:
6' (1829mm) or 8' (2438mm) (nominal)

Available in all panel styles and custom gate sizes.
 Certain panel configurations will meet ICC Pool Code.



Available in 2, 3, and 4 rail configurations. Rail : 1-1/2" | Picket: 3/4" | Gate Upright: 2" | Air Space: 3-3/4"

HARDWARE & ACCESSORIES

Post + Caps + Accessories



- 72" (1829mm)
- 78" (1981mm)
- 84" (2134mm)
- 96" (2439mm)

Punched
2.5" (.060), 2.5" (.125), 3" (.125)

Posts (Blank or Pre-punched
End, Line and Corner)



Pressed
Dome Cap



Gate Latch &
Hinge Kit



Wall Mount
Bracket



Swivel
Bracket



DISCOVER THE TOTAL SOLUTION

Explore our complete collection of revolutionary products that can work in harmony or stand alone to create beautiful, long-lasting spaces.

© 2021 Fortress Building Products. Unless otherwise noted, all proprietary names are trademarks of Fortress Iron, LP. All rights reserved.